

DH-HAC-HFW1200M-I2

2MP HDCVI IR Bullet Camera



Features

- 1/2.7" 2Megapixel progressive CMOS
- Max 25/30fps@2M(1920×1080)
- DWDR, Day/Night(ICR), 2DNR,HLC,BLC
- 3.6mm fixed lens (6mm optional)
- Max. IR LEDs Length up to 50m, Smart IR
- Multi-formats 4 in 1
- IP67, DC12V

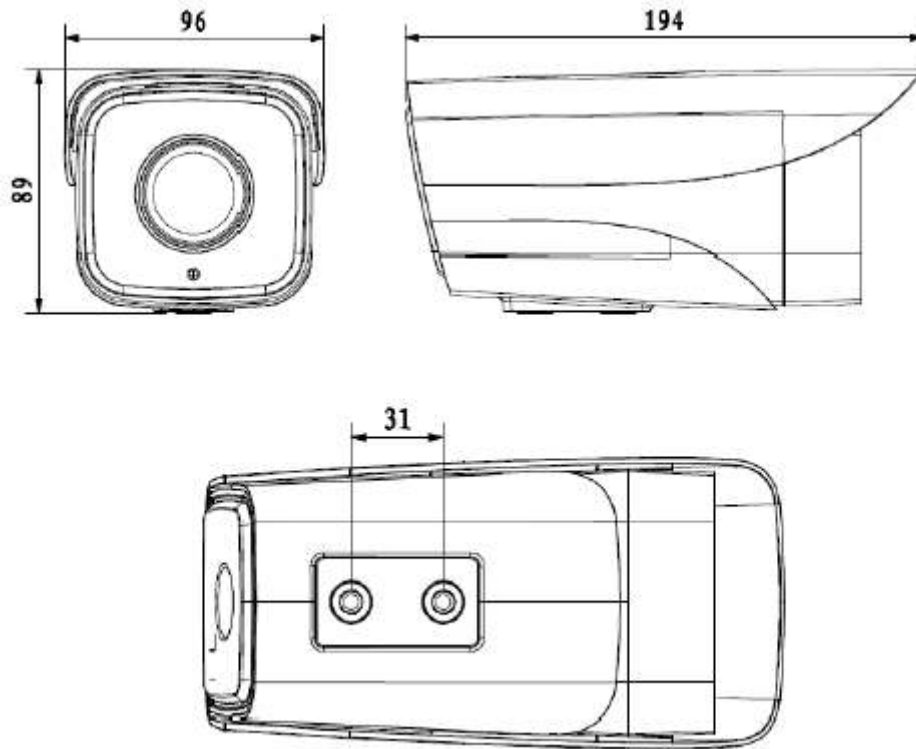
DH-HAC-HFW1200M-I2

Technical Specifications

Model	DH-HAC-HFW1200M-I2
Camera	
Image Sensor	1/2.7" 2Megapixel CMOS
Effective Pixels	1920(H)*1080(V)
Frame Rate	25/30fps@1080P, 25/30/50/60fps@720P
Electronic Shutter	PAL:1/25 ~1/10000; NTSC:1/30 ~1/10000
Min. Illumination	0.02Lux@F2.0,30IRE, 0Lux IR on
S/N Ratio	>65dB
Video Output	1 channel BNC
Camera Features	
OSD	English
Day/Night	Auto(ICR) / Color / B/W
Backlight Compensation	BLC / HLC / DWDR
White Balance	Auto / Manual
Gain Control	Auto / Manual
Noise Reduction	2D
Privacy Masking	Up to 4 areas
Max. IR LEDs Length	50 m
Picture Adjustment	Mirror / Brightness / Contrast / Sharpness / Smart IR
Lens	
Focal Length	3.6mm (6mm optional)
Max Aperture	F2.0
Focus Control	Manual
Angle of View	3.6mm H:87° V: 46.4° D:103.8° 6mm H:53° V: 29.7° D:61°
Lens Type	Fixed lens
Mount Type	Board-in Type
General	
Power Supply	DC12V±25%
Power Consumption	Max 5.28
Working Environment	- 40°C ~ + 60°C (-40° F ~ +140° F)
Dimensions(W×D×H)	Φ194mm× 96mm× 89mm
Weight	612g

DH-HAC-HFW1200M-I2

Dimensions (mm)



Dahua Technology Co., Ltd.

1187 BinAn Road, Binjiang District, Hangzhou, China

Tel: +86-571-87688883

Fax: +86-571-87688815

Email: overseas@dahuatech.com

www.dahuatech.com

*Design and specifications are subject to change without notice.

© 2013 Dahua Technology Co., Ltd.