

MODEL : TS-MP02E / TS-MP02M
TS-B110E / TS-B110M
TS-B210E / TS-B210M
TS-B220E / TS-B220M
TS-B330E / TS-B330M

ACCESS CONTROL

TRIPOD TURNSTILES

www.denontech.com

Access Control System



TS-MP02E /
TS-MP02M



TS-B110E /
TS-B110M



TS-B210E /
TS-B210M



TS-B220E /
TS-B220M



TS-B330E /
TS-B330M

The whole framework of these tripod turnstile series are made of stainless steel, and it's rustproof, durable, and can resist external destroy. Its structure of cuboid framework and pole not only provide people with civilized and orderly transit manner but also prevent the illegal in and out effectively. Meanwhile, in the emergency, it can drop the pole promptly.

To Electric type product, the arm can unlock or drop automatically when it is powered off. But when the power is turned on, the arm will be raised by hand.

Function and characteristics :

Electric type (semi-auto)

- Being compatible with several control devices IC, ID, magnetic card, barcode and so on
- Smooth operation, low noise
- Emergency Function, The pole will automatically drop after power is off
- LED figure display function
- Memory Function attached in the controller

Manual type

- Unique position and reset system : automatically reset, it always keeps the pole horizontal.
- Completely mechanical product, it is not controlled by electricity but simple and high reliable.
- Minimal maintenance, adaptable for single direction limit management.
- Be able to install people counting into with numeric LCD display.

T
U
R
N
S
T
I
L
E
S

TRIPOD TURNSTILES

Products information

Technical Specifications

Drive: Hand operated

Orientation: Pass left or Pass right

Materials: Casework : stainless steel

Case lid : stainless steel

Tripod hub : Aluminium alloy

Tripod arms: Stainless steel tube , polished

Dia. 35mm , walkway 500mm

Function: - Single / double walkway – controlled in one direction or both

- A valid lock action can allow one passage at one time Normally open – the machine will unlock when a valid signal is received

- It will lock automatically if passage through turnstile is not completed within pre-set time, the set time can be adjusted via parameter change

Mechanism: - A positive lock action that prevents two passage at one time

- A self centering mechanism to ensure complete rotation once the mechanism has moved to home position

- A hydraulic damper to ensure smooth operation and longer mechanism's life

- Anti backup device to prevent reverse rotation once the mechanism has moved to 60 degree from home

Card Reader / Finger Scan Mounting

- Surface mounting only of customer supplied readers

- Card reader Pedestals

Traffic Lights : For Electric models , LED traffic-lights are available to give availability to transit in a specific direction

Push Button Control : For electric products can install push button control.

Usage Counters : LCD Counters to count people entering or exiting the turnstiles , for TS-MP02E can interface with Dcounter Software to make the report and monitoring at computer



Drop Arm : For electric products in the event of an emergency or isolation of the power supply the horizontal tripod arm will drop or unlock automatically to create a clear walkway for scape

User Include : Station, factory ,port , view spot , exhibition , swimming club restaurant ,hotel, museum, gymnasium ,club, park ,market , toilet ,subway , government , enterprise and institution, special access and so on

TRIPOD TURNSTILES

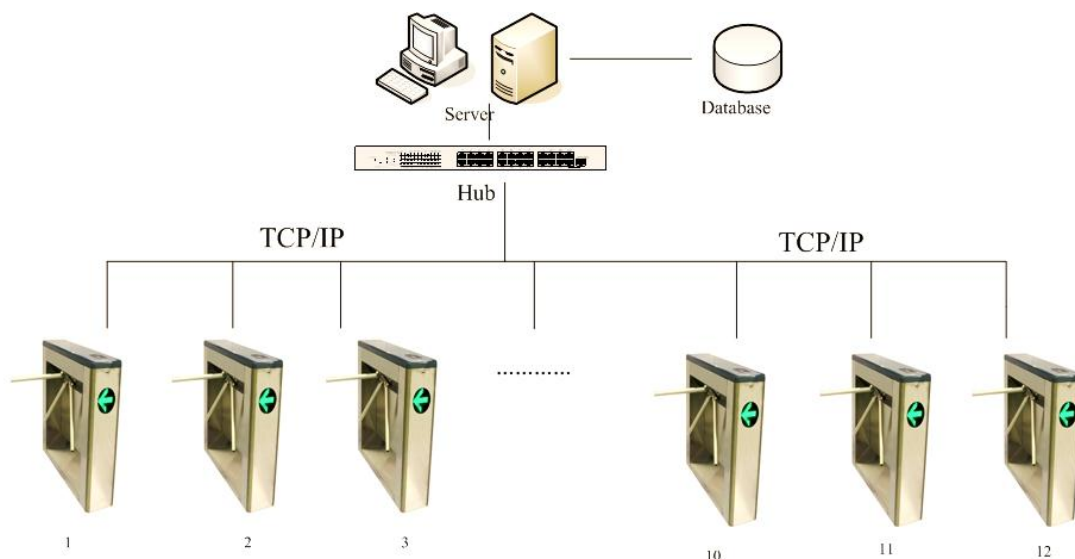
Products information

Technical Specifications

Framework	Stainless steel
Dimension	TS-MP02 : 480 x 330 x 980 mm TS-B110,TS-B210,TS-B220,TS-B330: 1200 x 280 x 990 mm
Weight	40-70 Kg
Arms length	510 mm
Input Interface (TS-MP02E)	<ul style="list-style-type: none">- Dry contact (Relay)- +12V level signal- DC12V pulse with width of more than 100ms ,driving current > 10mA
Max Flow Rates	30 Persons / Min.
Max Power Rating (TS-MP02E)	50VA
Normal available life	3,000,000 times

Mechanical Tripod Turnstiles

Purely mechanical units that allows the transit in one direction only. The rotation in the opposite direction is locked

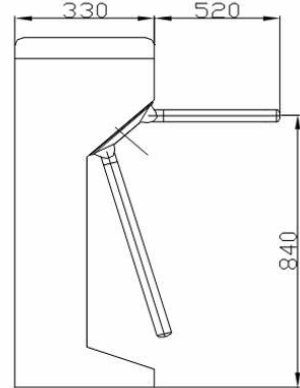
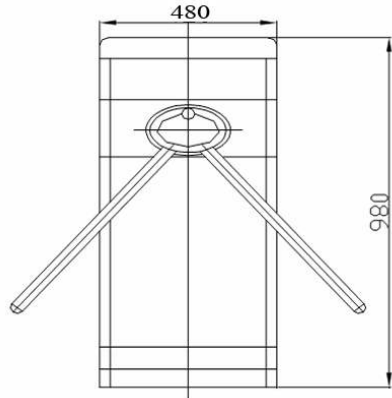


TRIPOD TURNSTILES

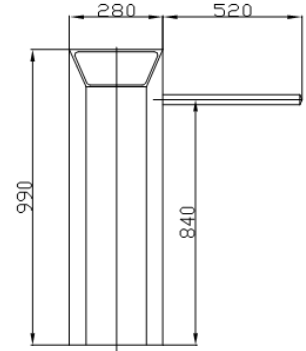
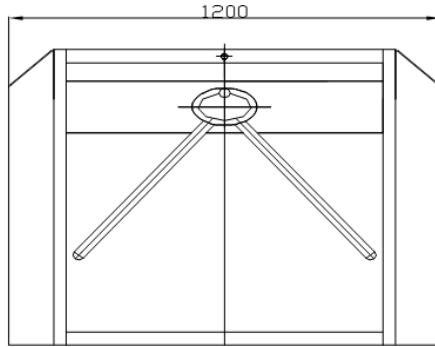
Dimensions



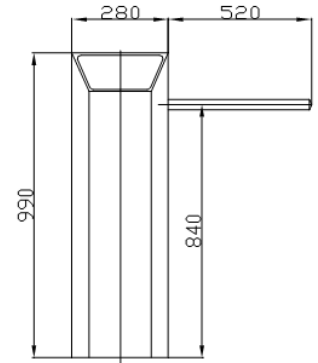
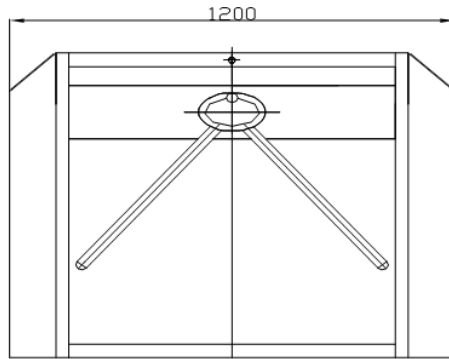
TS-MP02E / TS-MP02M



TS-B110E / TS-B110M



TS-B210E / TS-B210M



TS-B330E / TS-B330M



TS-B220E / TS-B220M

