



Innovative Technology

INTELLIGENCE IN VALIDATION

BV20

*"A compact, lightweight
bill acceptor"*



- Compact bill acceptor
- Simple design
- Exceptional value
- Ideal for amusement, kiddie rides & jukebox applications



FEATURES

- Exceptional value
- Proven field reliability
- Quick transactions
- Easy maintenance, free firmware updates
- Simple, compact design



BENEFITS

- A bill acceptor for the same price as a coin mech
- Lowest cost of ownership
- Takes more cash
- Future proof - quick & easy updates via PC or handheld programmer
- Ideal for amusement, kiddie rides & jukebox applications

Technical Specification

Power

Requirements: 12V
Standby: 150mA
Running: 540mA
Peak: 1.5A

Bezel Options

66/72 mm width

Protocols

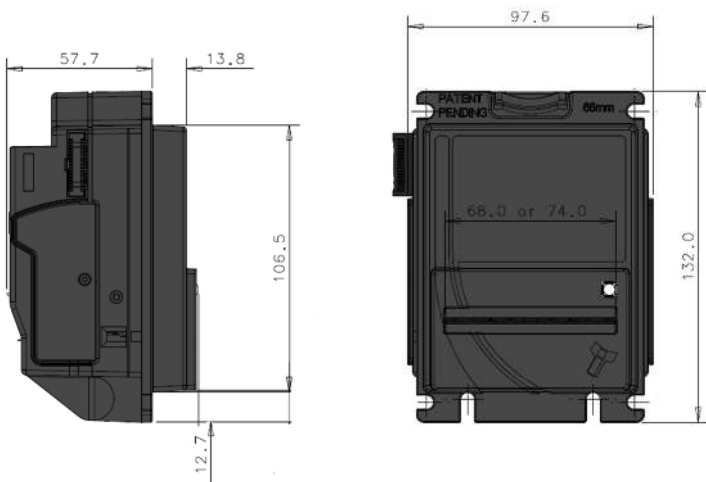
SSP
ccTalk
MDB
Pulse
Parallel
Binary
Serial

Interfaces

Open collector

MCBF

100,000



- Weight: 0.3kg

**VIEW MORE
NOTE HANDLING
PRODUCTS >>**



Find Us

Head Office

Innovative Technology Ltd (UK)
Innovative Business Park
Derker Street
Oldham
OL1 4EQ



Telephone

+44 (0) 161 626 9999



Email

sales@innovative-technology.com