

SE-SE2442

HAND-HELD METAL DETECTOR

Suitable for Magnetic and Non-Magnetic Metal

FEATURED PRODUCTS



Programmable Button



Versatile Indicators



Wrist strap & Battery cover



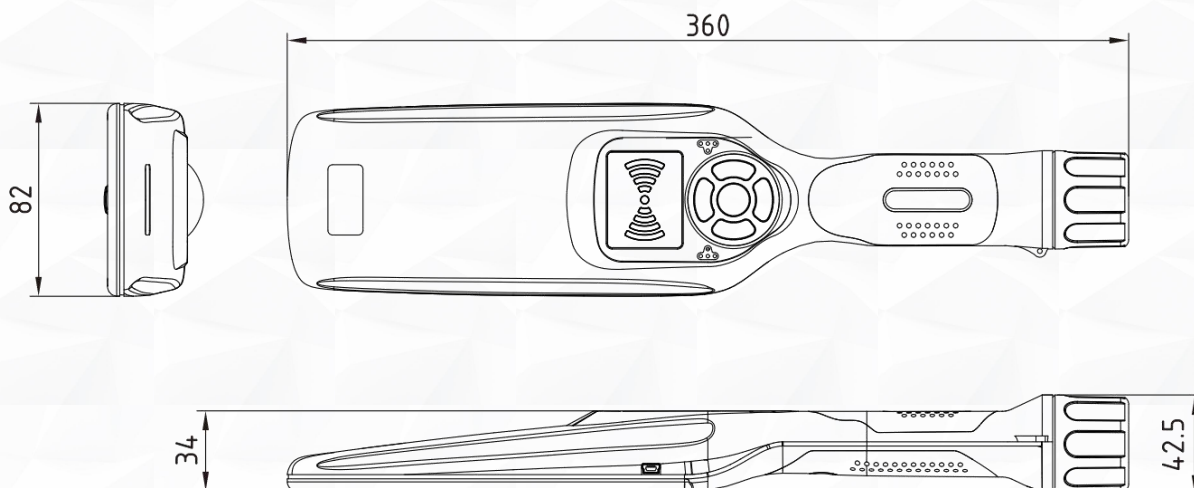
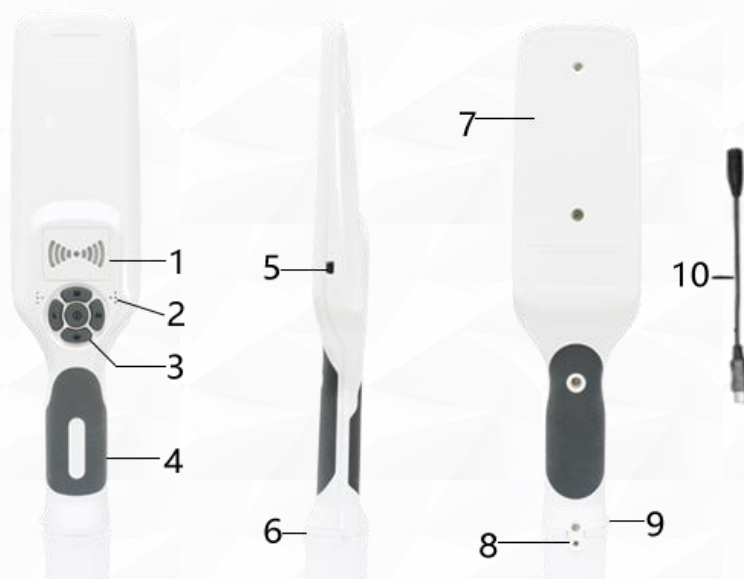
- 3 Detection Modes: Magnetic only, Non-magnetic only and Mixed Alloy metal weapons.
- 4 Level sensitivity, stable performance, no need for periodic calibration.
- Streamline design, elegant appearance, comfortable and anti-skid design for the handle.
- Simple and easy operation. Frequency: 25KHZ.
- Three alarm modes (Vibration, Sound, Vibration & Sound).
- Long working hours and standby time, energy saving and environmental protection.
- Reminder for charging and low power.
- Advanced programming ability.
- Operator can judge the detected metal amount by the sound light.

SE-SE2442 Hand-held Metal Detector



Product Parts

- 1.INDICATOR LIGHT(ALARM, CHARGING,LOW BATTERY,ETC.)
- 2.SOUND HOLE
- 3.BUTTON
- 4.HANDLE
- 5.USB INTERFACE
- 6.BATTERY COVER
- 7.DETECTION AREA
- 8.BATTERY COVER FIXING SCREW
- 9.LANYARD HOLE
- 10.USB AND 3.5MM HEADPHONE INTERFACE CONVERTER



General Specification

Detection Mode:	Magnetic only, Non-magnetic only and Mixed Alloy metal weapons.	Materials:	Shock-resistant, impact-resistant ABS plastic
Sensitivity:	Low / Medium / High / Ultra-high	Operating Temperature:	-40 °C ~ 70 °C
Alarm Mode:	Vibration, Sound, Vibration+Sound	Dimension:	360(L)*82(W)*34(H)mm
Power Supply:	AA Battery * 2	Packing Size:	400 *130 * 65 mm
Service Time:	over 100 hours	Net Weight:	0.5kg
Detecting Distance:	Pin: 30-50mm Coin: 75-100mm Lighter: 120~160mm Hand gun: 160~195mm		
Applications:	Electronic inspection: Airport, Station, and Wharf Security inspection: Customs, Public security, Border control Quality inspection: Medicine factory Safety inspection: Nail inspection in timber factory, Important place, Sports ground Noble metal inspection: Gold and Silver Jewelry factory, Electronic factory		