

Model:GP-99



Model:EM-51

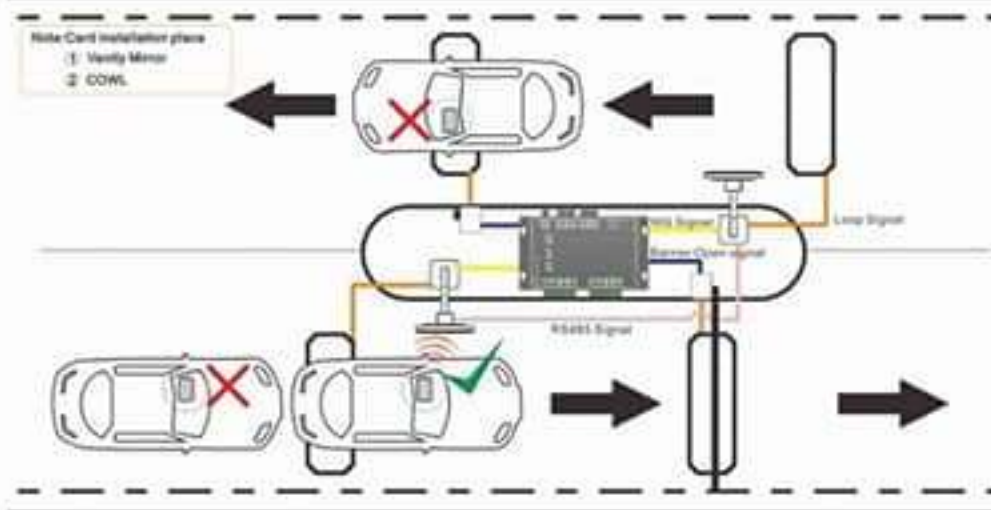


Model:CS-56

Technology Parameter

Power supply	DC12V/1A
Work current	≤450mA
Baud rate	9600,n,8,1
Work frequency	125KHz
Operating temp	-40°C~+60°C
Relative humidity	≤90%
Read distance	1-130CM (in the air)
Output Mode	Wigand 26/34 ,RS232/RS485
WaterProof	IP65
Cover Material	ABS+PC, UV protection

Installation Diagram And Application



Function And Advantage

GP-99 is more stronger and long reading distance than other similar RFID readers

GP-99 reading range up to 1.3 meters and it have strong working mode and anti-interference ability, long distance, stable working,high resistance to metal pollution.

Can penetrate any brand solar film and low cost rfid solution

Comparing with other frequency RFID reader, GP-99 can penetrate any brands solar film in market to offer affordable 1.3m reading range without winding down car window.Its reading range will not be effected or decrease 3-5CM by the V-KOOL(vehicle solar film).

Totally hands free access control solution

GP-99 with EM card,card sticker,so you no need to stop your car and wind down your car window to read card. Other similar products need to stop car to read card or flash card. So GP-99 hands free solution can save your time and more safe.

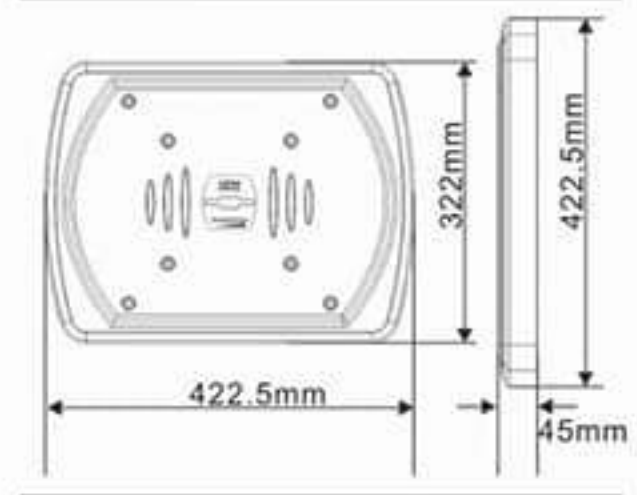
Strong ability to adapt the environment

GP-99 and high quality power supply with noise filter included. That adopt low ripple processing technology,which can effectively resist any external interference source and be affordable work in any environment.

Easy to integrate into any company access control system and easy to upgrade the old projects

GP-99 can effectively integrate with any company with their own access control system, also with Weigand 26/ Wiegand 34 interface, RS485/RS232 interface,that will be more convenient to update the system or management for our users.

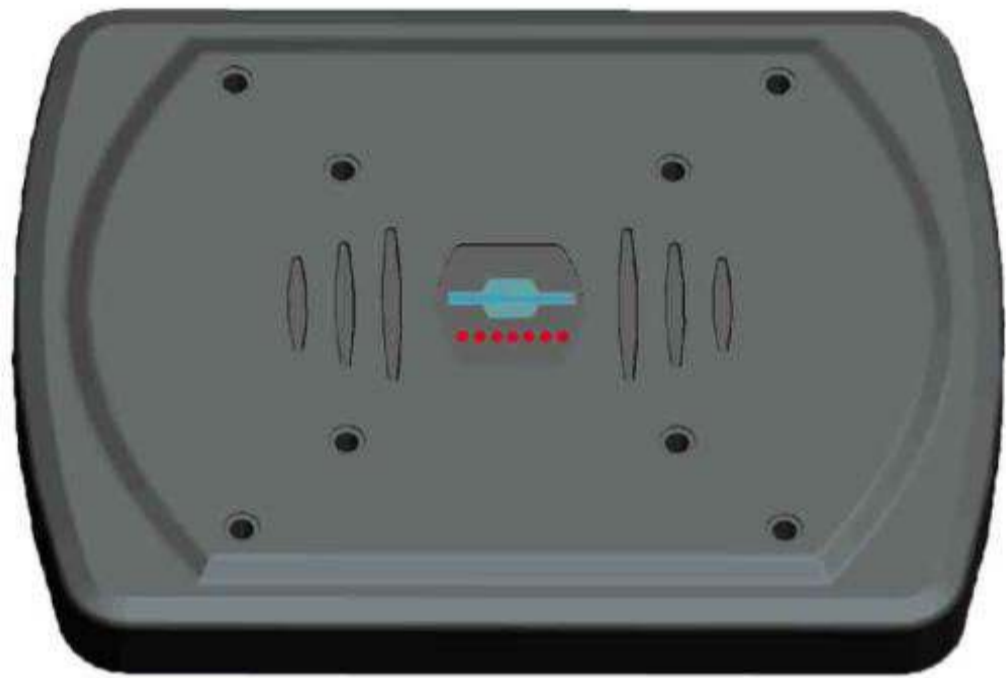
Size(mm)





GP99

Advanced Long Range Proximity Reader



Introduction:

GP99 is an extended range 125kHz RFID Long Range proximity reader featuring compact dimension. It can read range from 90cm to 130 cm depends on the interference on site. GP99 can effectively penetrate solar film and allows MC-5 proximity card to be read from inside the car without winding down windows. The unit will run an excellent power supply and marking it particularly suited to access control, car parking and through-well reading applications.

Ideal solution for car parking access control; residential and commercial building – no more hand getting wet during rainy day and less car robbery risk at entrance.

Features:

- * Can penetrate solar film (V-Kool40)
- *Auto tuning function to compensate presence of metal and interference
- *Extended reading range from 90 cm to 130 cm.
- *Bright LED indicators, tuning LED bar
- *Firmware upgradable in the field
- *IP-65 waterproof housing design
- *High-quality power supply with noise filter included.
- *Loop Inductive function optional
- *Anti-rereading function included

Specifications:

Interfaces	Wiegand 26 or 34 bits , RS485 or RS232 (depends on the firmware)
Reade Range	90-130cm
RFID Cards Accepted	125KHz, 64 bits, Manchester encoding
Power Supply input voltage	AC120/60Hz or 230V/50Hz
Output Voltage	DC 12V/1A
Operating Temperature Range	- 20 ° C ~ +60 ° C
Audio /Visual indication	Bright blue LED and Buzzer
Dimensions	420 (w) x 320 (L) x 45(D) mm
Housing material	ABS

