

Face Recognition +Temp+Mask เปิดประตู ACS-FR-HG10



Mask detection and recognition



Non-contact temperature measurement



Fever detection



Support multi language



Software

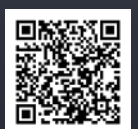


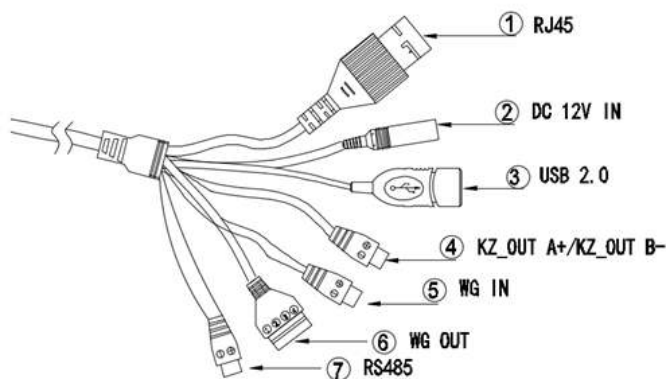
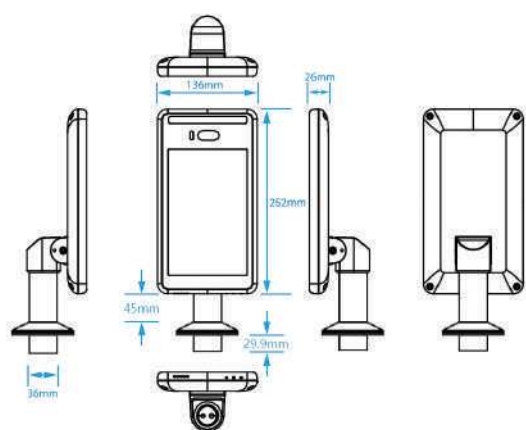
Report



Main Features:

- Support Real Time Human Body Detection
- Unique live face recognition algorithm to accurately recognize faces, face recognition time is less than 0.8s
- Mean time between failures MTBF>50000H
- Support for human face tracking exposure in strong backlighting
- Rich interface protocol, support SDK and HTTP protocol under various platforms such as Linux/Windows
- Using Linux operating system, better system stability.
- Support 30000+ face matching library and 80,000+ face recognition records.
- Support TF card storage, pictures are stored continuously for 1 year or longer (depends on TF card capacity)
- Operating temperature: -30 °C - +60 °C
- Outdoor IP66 waterproof and dustproof
- The device supports local login to manage, query, and configure
- 8-inch IPS full-view HD display, no streaking and delay
- The device supports connect to an external access control host or Wiegand reader through the international standard Wiegand protocol (WG26/WG34)





Specifications:

Hardware

Processor:	Dual Core ARM Cortex-A7 + 1G memory + 8G flash EMCC
Operating system:	Linux Operating system
Storage:	Support TF card storage
Viewing angle:	Vertical viewing angle: 30°; Horizontal viewing angle: 30°
Sensor:	1/2.8" Progressive Scan CMOS
Lens:	6mm(optional)
4G module:	Optional customization functions (not by default)
Wifi module:	802.11 b/g/n (not by default)
Bluetooth module:	BLE5.0 Optional customization functions (not by default)
Speaker:	voice playback content can be customized

Performance

Recognition height:	1.2~2.2 meters, angle adjustable
Recognition distance:	0.5~1.5 meters, depends on lens
Recognition time:	Less than 0.8 second
Storage capacity:	80,000+ capture records
Face capacity:	30000pcs
Screen brightness:	≥400 cd/m2
Switching output:	1 way switch output, other GPIO port can be customized
Network interface:	1 RJ45 10M / 100M adaptive Ethernet port, Gigabit Ethernet port can be customized
Audio and video interface:	speaker output
Wiegand interface:	1ch Wiegand interface input/output
RS485:	There is an RS485 interface on the PCB board, but no lead
USB interface:	1ch USB interface

Camera

Camera:	Two cameras
Effective pixels:	2MP, 1920*1080
Min Illumination:	Color 0.01Lux @F1.2(ICR);B/W 0.001Lux @F1.2 (ICR)
SNR:	≥50db(AGC OFF)
WDR:	100db, ISP algorithm face partial exposure

Function

Web side configuration:	support
remote upgrade:	support

Regular

Operating temperature:	-30°c - +60°c
Working humidity:	0~90%relative humidity, no condensation
Salt spray:	level Rp6 or above
Antistatic:	contact ±4KV, air ±8KV
Power:	DC12V/2A
Waterproof:	IP65
Power:	20W(MAX)
Equipment size:	252(length) * 136 (width) * 26 (thickness) mm
Screen size:	8 inch IPS HD screen
Weight:	1.7 kg