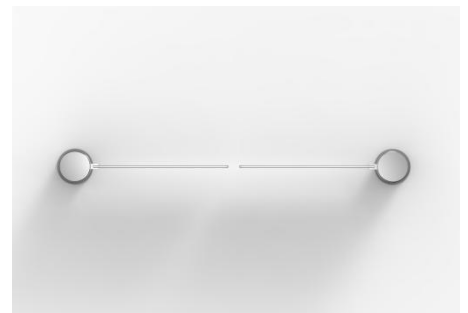


SPEED GATE TURNSTILE



TS-TB315

Content

1. Overview.....	1
2. Dimension.....	1
3. Security features.....	2
4. Specifications.....	2
5. Extend.....	2
6. Inquiry.....	2

1. Overview

The speed gate turnstile is with high-quality servo motor is configured and advanced servo control system is carried to truly achieve precise control, stable performance with no maintenance.

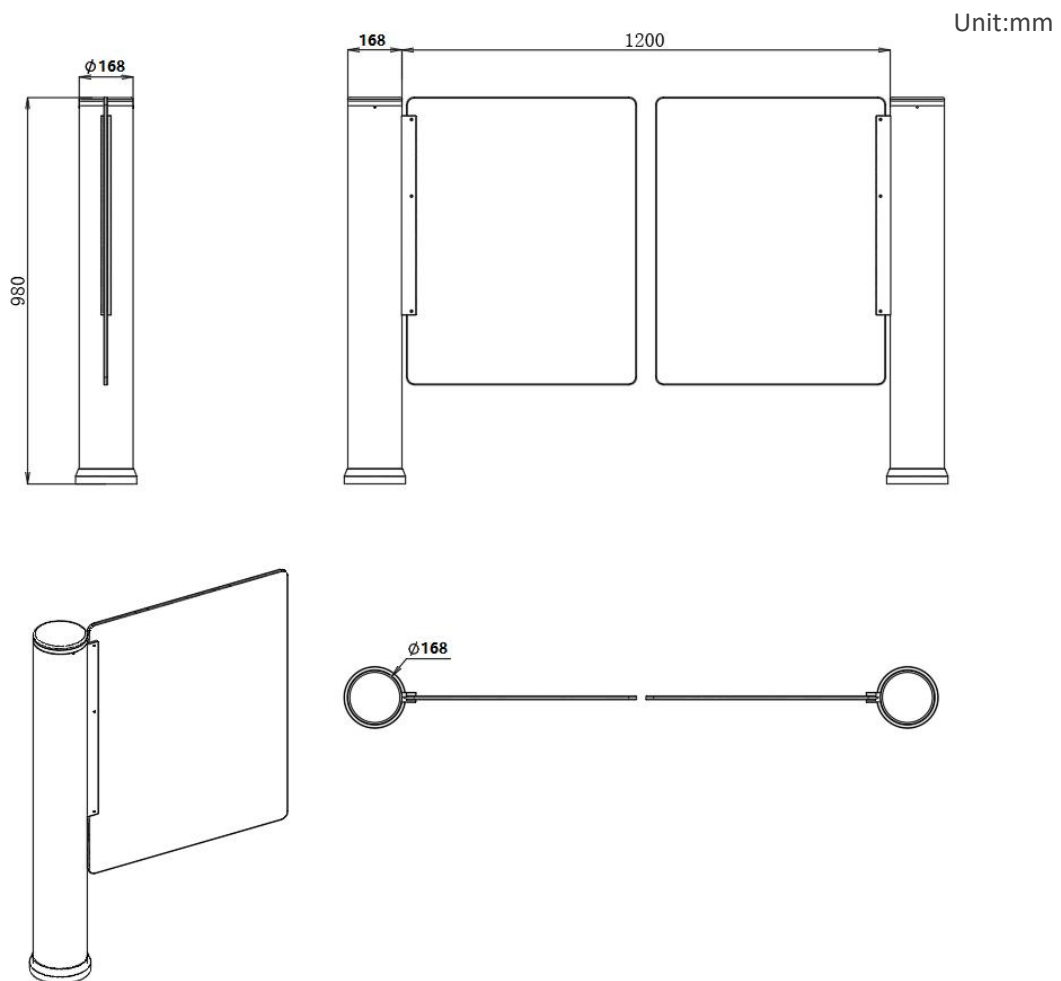
Lossless mechanism structure is based on German technology adopted to ensure long lifespan.

The matrix type photoelectric stereoscopic detection technology is adopted to sensitively detect the behaviors that threaten the passageway safety, such as illegal intrusion, reverse passing, tail-gating, and give out alarms through sound, light, etc. The turnstile can be combine with other security systems.

TS-TB315 is the column speed gate turnstile, with LED indicator for access status.

Transparent optical glass, support carve LOGO on the swing. The reader and control part is independent of the speed gate, they can install on the wall or extend tail column. The TS-TB315 speed turnstile gate can work one side alone or work as pair.

2. Dimension





3. Security features

- ◆ Automatically open while power failure
- ◆ Automatically close while time out

4. Specifications

Material	304 stainless steel
Power input	110V~240V
Drive unit	24V DC brushless servo motor
IR sensor	N/A
Working temperature	-15° C~60° C
Working humidity	<95% no condensation
Lane width	600~900mm
Traffic speed	40 pedestrian /min
Unlock signal	Support any third-party access controller
Swing running speed	0.4second(adjustable)
Communicate port	RS485
Traffic direction	One way, bi-direction adjustable

5. Extend

- ◆ Chassis: size, shape, third-party terminal embedded design.
- ◆ Unlock control unit: Access controller.
- ◆ Verification module: ID/IC/NFC, QR CODE(BARCODE) scanner, facial, fingerprint.



- ◆ Other: Display counter.

6. Inquiry

Reading method	A: RFID B: Face C: QR code D: Fingerprint E: ESD F: token RFID card G: token coin
Scope	Metro, BRT, factory, school, tourist attractions, gym, swimming pool, club, etc..
Access control system	A: We provided B: Your own