

Excellent indoor face recognition access control machine



Model Name : ACS-FR-HG14:

Applicable scene

Office buildings, meeting rooms, offices, elevator entrances, etc.

Main features

- Support binocular live detection
- Supports movement and face tracking exposure of people in strong backlight environment
- Unique face recognition algorithm, accurate face recognition, face recognition time V1.1.0

is less than 0.3s

- Built-in domestic CPU
- Using LINUX operating system, the system is stable
- H.265 encoding format video stream is directly connected to storage devices such as NVR through ONVIF protocol and GB28181 protocol
- Support TF card local storage, continuous storage of pictures for 1 year, continuous storage of videos for 1 month or longer (related to the optional TF card capacity)
- Mean time between failures MTBF>50000h
- Support 24000+ face comparison library and 160,000 recognition records
- Supports body temperature measurement at close range and high temperature alarm
- Support temperature data interface protocol docking
- Rich interface protocols, supporting TCP/IP, UDP, RTP, RTSP, RTCP, HTTP, DNS, DDNS, DHCP, SMTP, UPNP, MQTT protocols under multiple platforms such as Windows/Linux
- Working temperature: -20°C-55°C (Temperature measurement environment temperature: +16°C- +40°C)
- Support anti-dismantling alarm
- Support docking voice and video cloud intercom
- Support touch screen front-end management and configuration
- Abundant hardware interfaces (I/O, WG26, WG34, RJ45, USB, door sensor, doorbell, door opening, alarm, RS485)
- 8-inch IPS full viewing angle high-definition display, no image smear, no delay
- Automatic gain, automatic white balance, so that the true color of the image can be restored naturally
- Built-in black light sensor for video surveillance, low-light recognition is more accurate
- 3D noise reduction and fog penetration technology make the monitoring picture under low illumination more clear and delicate
- Support code stream and I frame interval setting
- Support partial shielding of video area

- Support ROI coding
- Automatic white balance, manual white balance
- Support maximum exposure time setting
- Support mobile phone monitoring settings
- Support 2D noise reduction, 3D noise reduction
- Support recording plan time period and upload method setting
- Support video brightness, contrast, hue, saturation, gamma adjustment
- Support setting the longest automatic exposure time
- Support smart face exposure and face smart enhancement settings

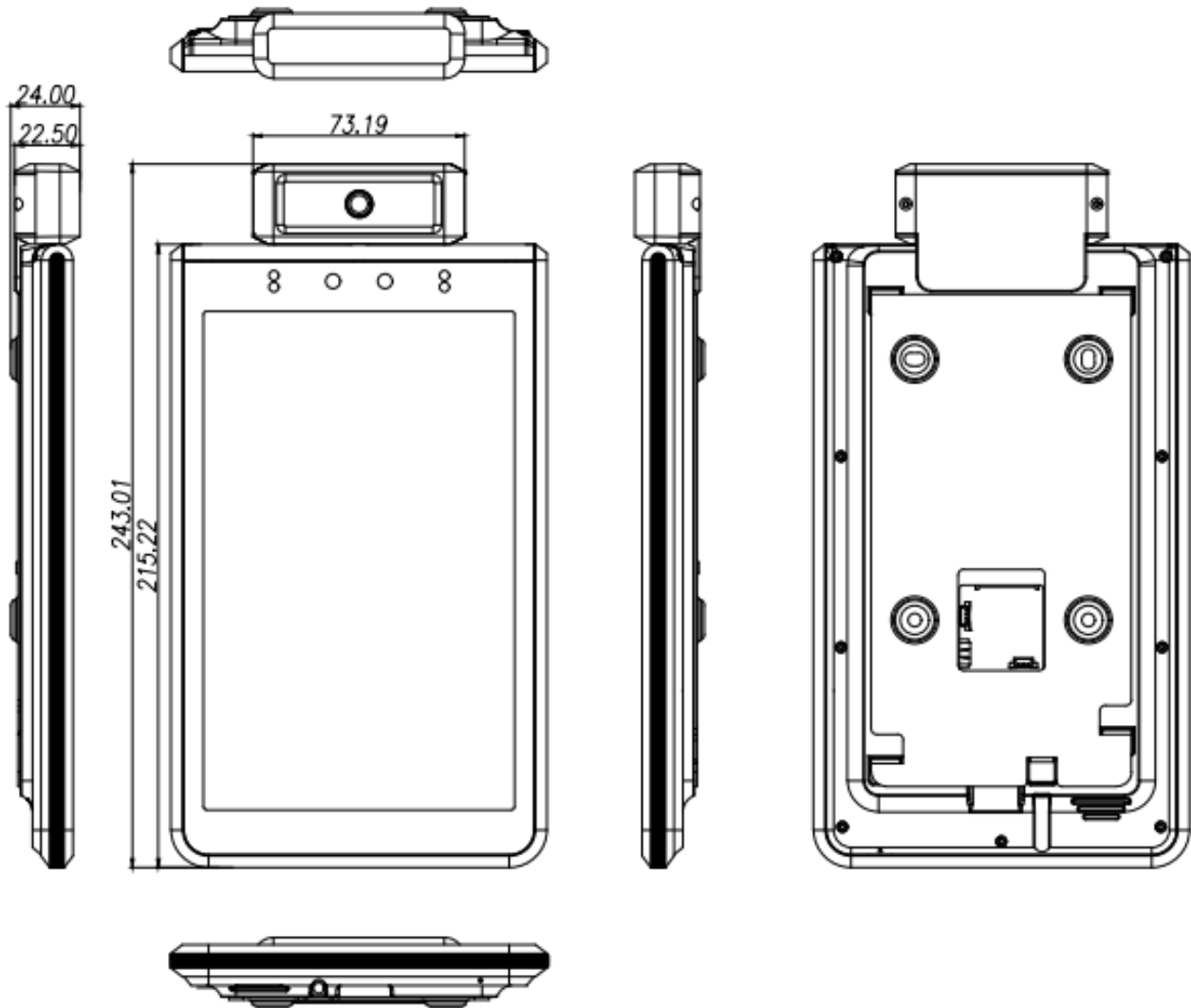
Specifications

hardware	
processor	dual-core processor + 1G memory + 16G EMMC
operating system	Linux operating system
storage	Support TF card storage (optional)
Camera	Binocular, 2.1 million effective pixels, 1920*1080
Imaging device	1/2.8" Progressive Scan CMOS
Lens	4.5mm focal length
WiFi module	2.4GHz frequency band, IEEE802 b/g/n protocol; 5GHz frequency band, IEEE802 a/n/ac protocol
Support Card type	mifare one (M1), S50, S70, NTAG2xx, etc. 13.56MHz frequency band cards, TK, EM series and other 125KHz frequency band cards (both IC/ID are supported)
speaker	Voice playback content can be customized
Temperature measurement performance	
Measurement environment	16°C-40°C, no wind indoors (see note for details)

Temperature measuring lens	European imported original lens
sensor type	Sensors imported from Germany
FOV	33°
Array resolution	32×32
measurement accuracy	±0.3°C
Temperature resolution	0.1°C
Temperature measurement distance	≤50cm (recommended 30-50cm)
Response time	300ms
performance	
Recognition height	1.2~2.3 meters, adjustable angle
Recognition distance	0.3~2.5 meters
Face angle	30 degrees left and right, 30 degrees up and down
Recognition time	Less than 0.3 seconds
storage	160,000 snapshots
Face capacity	24000
interface	
power input	DC12V/2A
Network Interface	1 RJ45 10M / 100M adaptive Ethernet port, Gigabit Ethernet port can be customized
Wiegand interface	1 Wiegand interface output, 1 Wiegand interface input
Alarm interface	1 fire alarm input
Door sensor interface	1 channel door sensor interface input
Door opening interface	1 door open interface input

Doorbell interface	1 channel doorbell interface output	
Door lock interface	1 way door lock interface output	
Communication Interface	1 RS485 communication interface	
USB interface	1 way USB interface	
Camera parameters		
Video camera	Binocular camera, full glass lens, visible light and near infrared, support live detection	
Effective Pixels	2.1 million effective pixels, 1920*1080	
Minimum illumination	Color 0.01Lux @F1.2 (ICR); black and white 0.001Lux @F1.2 (ICR)	
Signal-to-noise ratio	≥50db (AGC OFF)	
Wide dynamic	120db, partial exposure of ISP algorithm face	
Video encoding	H.265 Main Profile encoding/H.264 BP/MP/HP encoding/MJPEG encoding	
Dual stream resolution	Main stream	50Hz: 25fps (1920×1080, 1280×720)
		60Hz: 30fps (1920×1080, 1280×720)
	Secondary stream	720*576, 1-25(30) frames/sec/640*480, 1-25(30) frames/sec 320*240, 1-25(30) frames/sec
General parameters		
Operating temperature	-20℃ - 55℃ (environment temperature: +16℃- +40℃)	
Working humidity	10~90% relative humidity, non-condensing	
equipment power	20W (MAX)	
Salt spray grade	Rp6 level or above	
Antistatic	Contact ±6KV, air ±8KV	
powered by	DC12V/2A	
Protection level	IP42	

Screen specifications	8-inch high-definition IPS screen
Equipment size	215.22*130*18mm



Interface definition

Serial number	name	quantity	Remark
①	Ground	1	Black and white: GND
②	Wiegand input and output	1	Orange: WGI_D0, orange and white: WGI_D1 Brown: WGO_D0, brown and white: WGO_D1
③	Fire alarm input	1	Yellow: FIRE_ALM
④	Alarm Output	1	Purple: NO, Blue: COM, White: NC
⑤	doorbell	1	Light blue: BELL
⑥	power supply	1	Red: WG_12V, black: GND
⑦	Door sensor	1	Light green: DS
⑧	Open the door	1	Green: OPEN
⑨	Door lock	1	Blue and white: NC, green and white: COM Ash: NO
⑩	RS485	1	Red: 485+, Black: 485-