



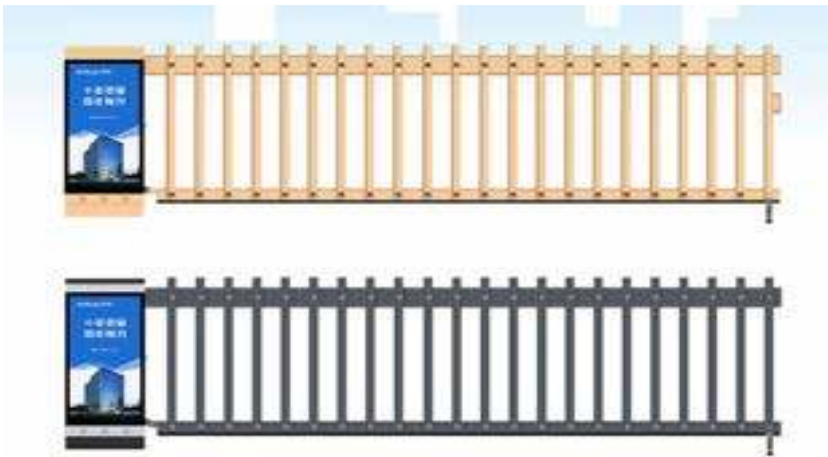
Advertising Barrier Gate CP-CD400

Parameters:

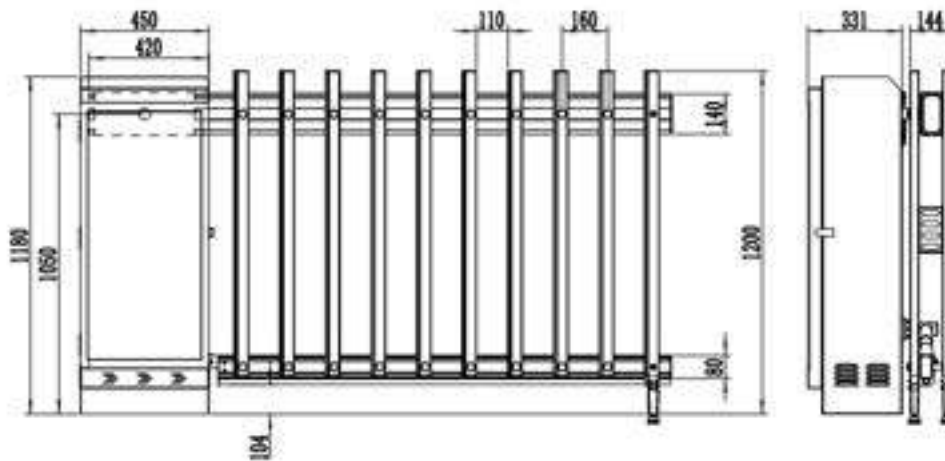
Power supply	220V±10%/50HZ,60HZ
Motor power	AC220V/160W
Temperature	-30~80℃
LED strip power supply	DC12V
Advertising Indicated Dimension	440*868mm
Lightbox Screen Dimension	440*920mm
Remote Control Distance	<=30m
Opening and closing times	6s
Boom Length	Max m
Housing dimension	450*331*1180mm

Features:

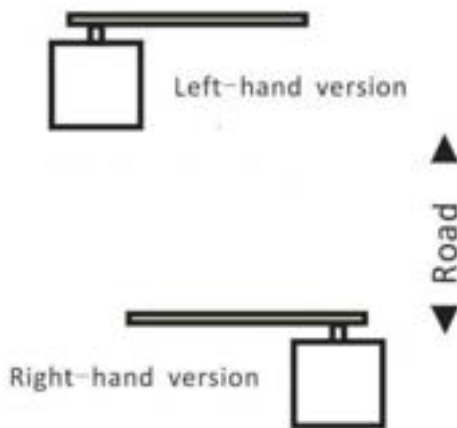
- Simple but special appearance, durable case, outdoor environment adapted.
- Advanced surface processing, luxury.
- Inverter control technique, adjustable speed, steady motor.
- Adopt Photosensitive sensor control to control LED light, more intelligent.
- Multiplex control way is provided for user: push button, remote controller, long range reader etc.
- Add loop sensor, following functions can be realized: auto close, auto bounce up etc. It can automatically close gate and perfectly prevent smashing car.
- Opening first function, it can highly increase access rate.
- System adopts standard electric interface which can connect with other system easily.



Housing Dimension



Barrier Direction:



Machine core structure:

