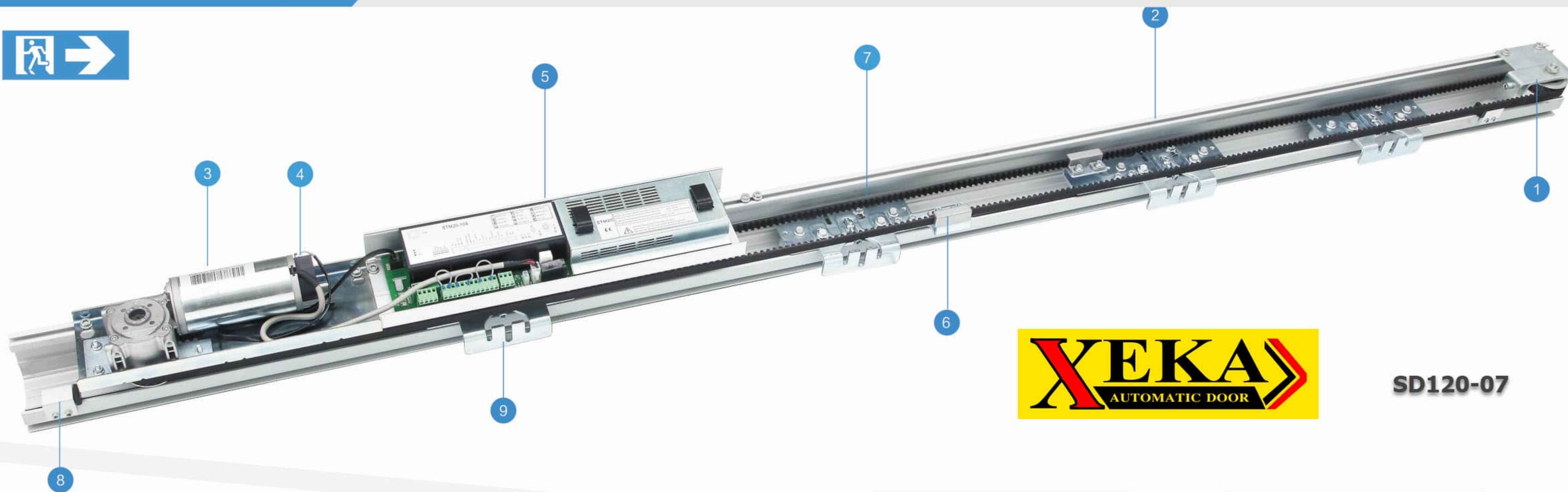


AUTO SLIDING OPERATOR



SD120-07

► Compact, Technial, Practial Design

Slimline profile(73mm height, 10Kg) is easy for customers to install and installation method is very simple, which can help you to save many cost ,considering a high labor force. Rubber, good quality roller ,belt and Dunker motor Promise its quiet working.

► Stable & Smart Working

Control system applys microcomputer system, imported electronic componets and self-developed program to promise its stable working. As we pay more attention to its safe working, it is easy to reverse when obstruct and pass the European LVD testing. Error Display Screen is easy for customers to keep maintenance, you can be easy to find the error and fix it out.

► Advantage

- Compact & Modulization Design
- Door Weight: 1x150kg, 2x120kg
- Meet customers' different request
- Multi-functional microcontroller
- New Design Drive Unit
- Program Switch Control
- Easily Installing & Adjusting
- Motor Lock
- Safe Working
- Stable & Quite Working
- Easily Maintenance



- | | | |
|-------------------------------|-------------------------------------|------------|
| 1 Guide Pulley | 4 Dunkermotoren RE20 Encoder | 7 Belt |
| 2 Profile | 5 Controller&Switching Power Supply | 8 Stopper |
| 3 Dunkermotoren GR63x55 Motor | 6 Belt Clamps | 9 Carriage |

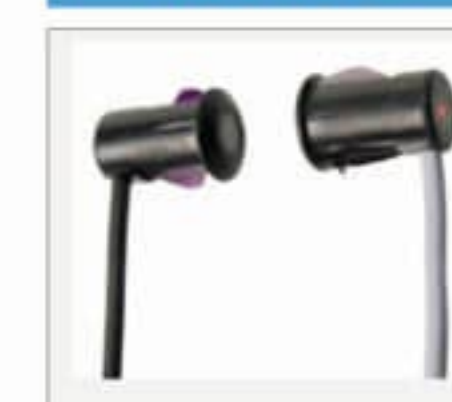
Program Switch



Imported Radar

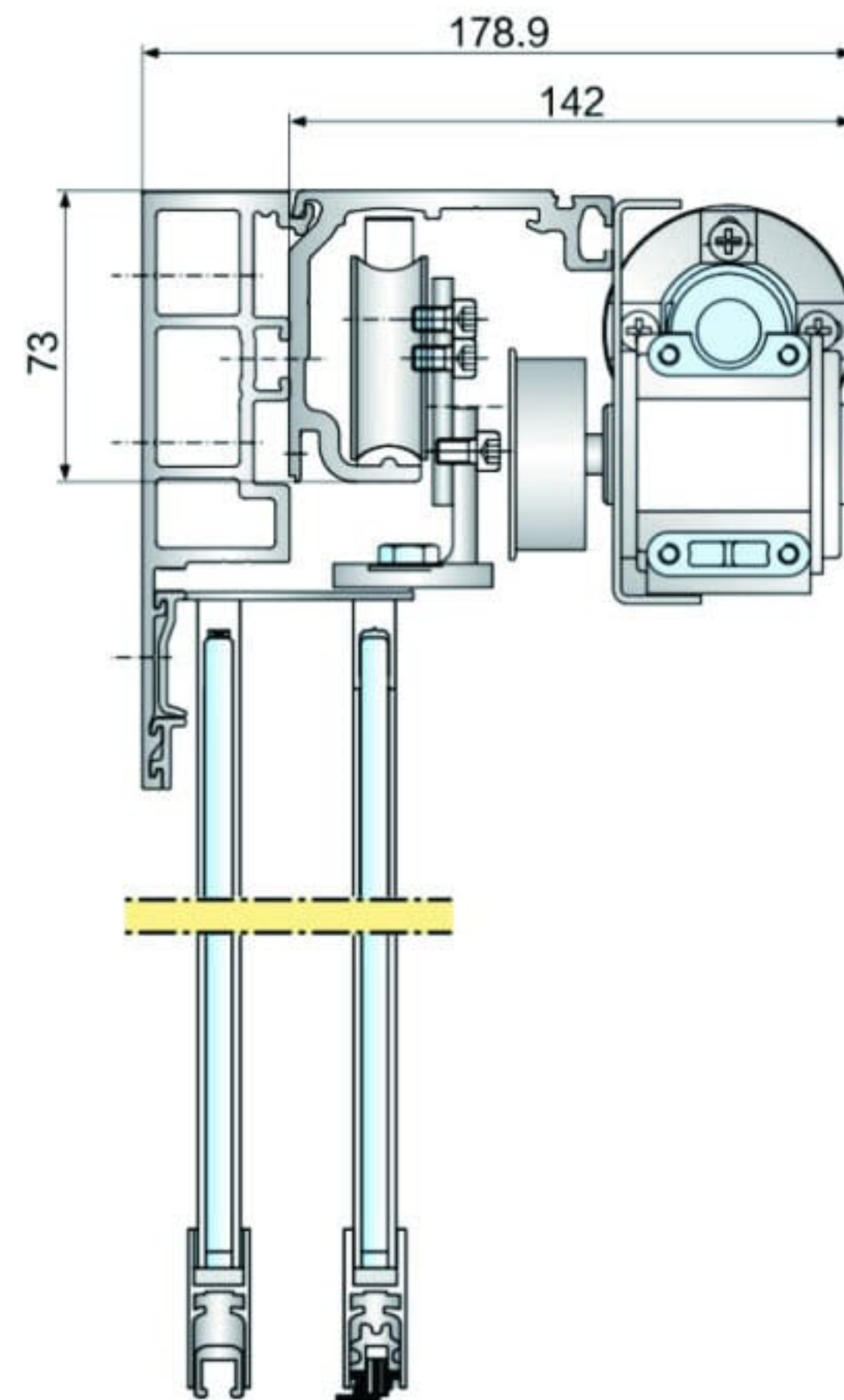


Photocell



► Sectional View

Modulization Design & Slimline profile, "Track Support Profile, Track Profile & Rubber"
Compact and easy for you to install. Best choice for shop, house, toilet, school etc.



XEKA
AUTOMATIC DOOR
SD120-07

PROGRAM SWITCH	
PROGRAM	ACTION
LOCK	The door will keep close and don't work automatically. Meanwhile, it works with motor lock, you can't open it by hand.
AUTOMATIC	If a person or an object enters the range of the detectors, the door opens to full opening width and closes on expiry of the preset hold-open time.
PERMANENT OPEN	The door opens at low (creep) speed to its full opening width and remains in this position until another function is selected
PARTIAL OPEN	If a person or an object enters the range of the detectors, the door opens to the preset partial open width and closes on expiry of the hold-open time.
EXIST ONLY	Only the external detector is deactivated; the door is only accessible from the inside (e.g. one-way function on close of business)

Door Panels	
Single Open	
- Opening Width	800 - 3000mm
- Door Weight	1x150 kg
Double Open	
- Opening Width	800 - 3000mm
- Door Weight	2X 120 kg

Technical Datas	
Height	73mm
Depth	145mm
Manual Force	150N
Opening Speed	10-70cm/s
Closing Speed	10-50cm/s
Hold-open Time	0.5—30 sec.
Main Power	230 V, 50/60 Hz
Consumption	90W
IP Protection	IP 20
Fuse	3.15A
ISO9100	●

Microcontroller	
Microcomputer Control	●
Working Program	
- Lock	●
- Automatic	●
- Permanent Open	●
- Partional Open	●
- Exist Only	●
- Night-Bank Open	●
Emergency Stop	●
Self-learning & Self-Diagram	●
Reverse when Obstruct	●
Port for E-lock & UPS	●
Self-mornitoring	●
Parameter Adjust via Display &DIP	●
Read-out Error Store with Erorr Codes	●
24V Output for External Loading	●
Motor Lock	●

Option parts	
Electronic-Lock	○
Photocell	○
UPS Battery	○
Remote Controller	○

● Yes ○ Optional

► Installation Diagram

